

Electrical Specifications

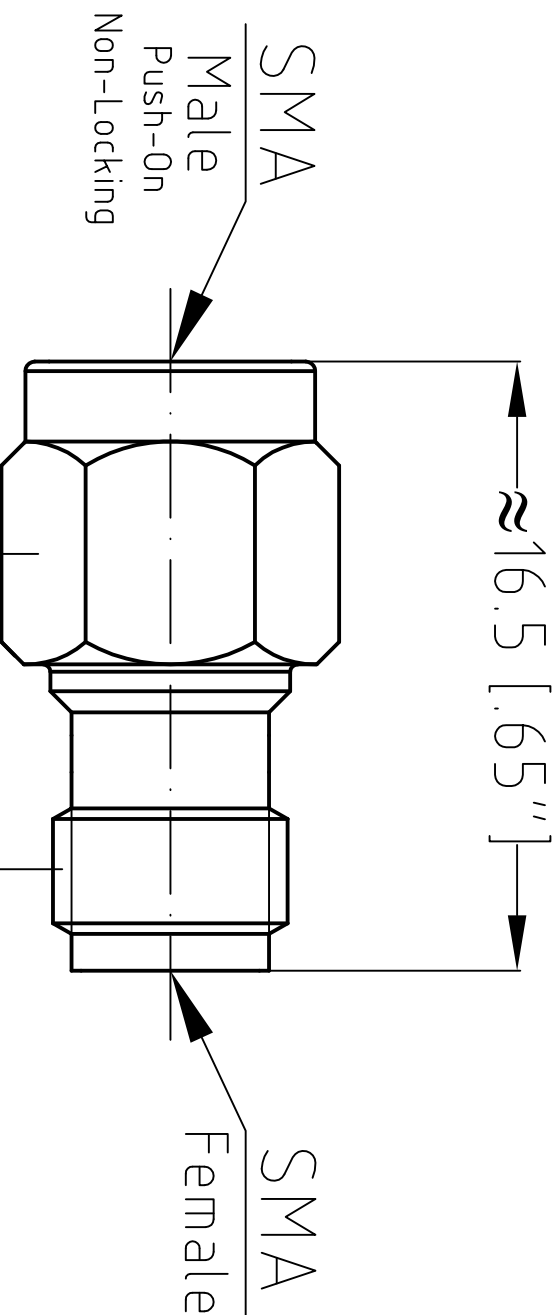
Frequency:	DC - 26.5 GHz
Impedance:	50 Ohms
VSWR max.:	1.15:1 from DC - 18.0 GHz 1.20:1 from 18.0 - 26.5 GHz
Insertion Loss:	0.25 dB max. @ 18.0 GHz 0.3 dB max. @ 26.5 GHz
RF Leakage:	-80 dB max. to 3.0 GHz -65 dB max. to 26.5 GHz
Insulation Resistance:	shall not be less than 5,000 megaohms
Dielectric Withstanding Voltage:	1,5000 Volts rms at 60 Hz
RF High Potential Withstanding Voltage:	1,000 Volts rms at 5 MHz

Materials

Steel	Corrosion resistant 1.4305 per DIN EN 10088-3 (ASTM-A-582-80)
Copper Beryllium	33-25 CuBe2Pb H per DIN 17666 (ASTM-B-196)
PTFE	PolyTetrafluoroEthylene per ASTM-D-1710

Finish

Stainless Steel	shall be passivated per ASTM-A-967
Copper Beryllium	Centre Contacts shall be gold plated to a minimum thickness of 1.27 µm [0.00005"] per ASTM-B-488, Type III, Code C, Class 1.25



To improve our product we reserve the right to make changes. Specifications are therefore subject to change without notice.

DRAWING-SETS

8001-SM21-02

SURFACE TREATMENT

ADM. TOL.



ISO 1302

SCALE

MATERIAL

WEIGHT

DATE

DATE

NAME

DESCRIPTION

DRAWING NUMBER

SHEET

3 Update

16.12.19 TSC

TPU

Push-on Adapter

8001-SM21-02

1 of 1

2 Elec. Specs

16.05.18 TSC

TPU

SMA male Push-on to SMA female,

non-locking, straight

1 Elec. Specs

16.09.13 JPH

TPU

Materials

8001-SM21-02

1 of 1

FINISHES

DATE

NAME

DESCRIPTION

8001-SM21-02

1 of 1

CHANGES

DATE

NAME

DESCRIPTION

8001-SM21-02

1 of 1

THIS DRAWING EMBODIES A CONFIDENTIAL PROPERTY DESIGN ORIGINATED BY SPECTRUM ELECTROTECHNIK GMBH AND ALL DESIGN, MANUFACTURING AND REPRODUCTION, USE AND STORAGE INFORMATION HEREON IS THE SOLE PROPERTY OF SPECTRUM ELECTROTECHNIK GMBH. ANY UNAUTHORIZED REPRODUCTION, DISSEMINATION, OR DISCLOSURE OF THIS INFORMATION IS STRICTLY PROHIBITED. BY ACCEPTING THIS DRAWING NOT TO SUPPLY OR DISCLOSE ANY INFORMATION REGARDING IT TO ANY UNAUTHORIZED PERSON TO INCORPORATE IN OTHER PRODUCTS ANY SPECIAL FEATURES PERTAINING TO THIS DESIGN, ALL PATENT RIGHTS HERETO ARE EXPRESSLY RESERVED BY SPECTRUM ELECTROTECHNIK GMBH.



DRAWING NUMBER	8001-SM21-02	SHEET	1 of 1
DESCRIPTION	Push-on Adapter		
	SMA male Push-on to SMA female, non-locking, straight		